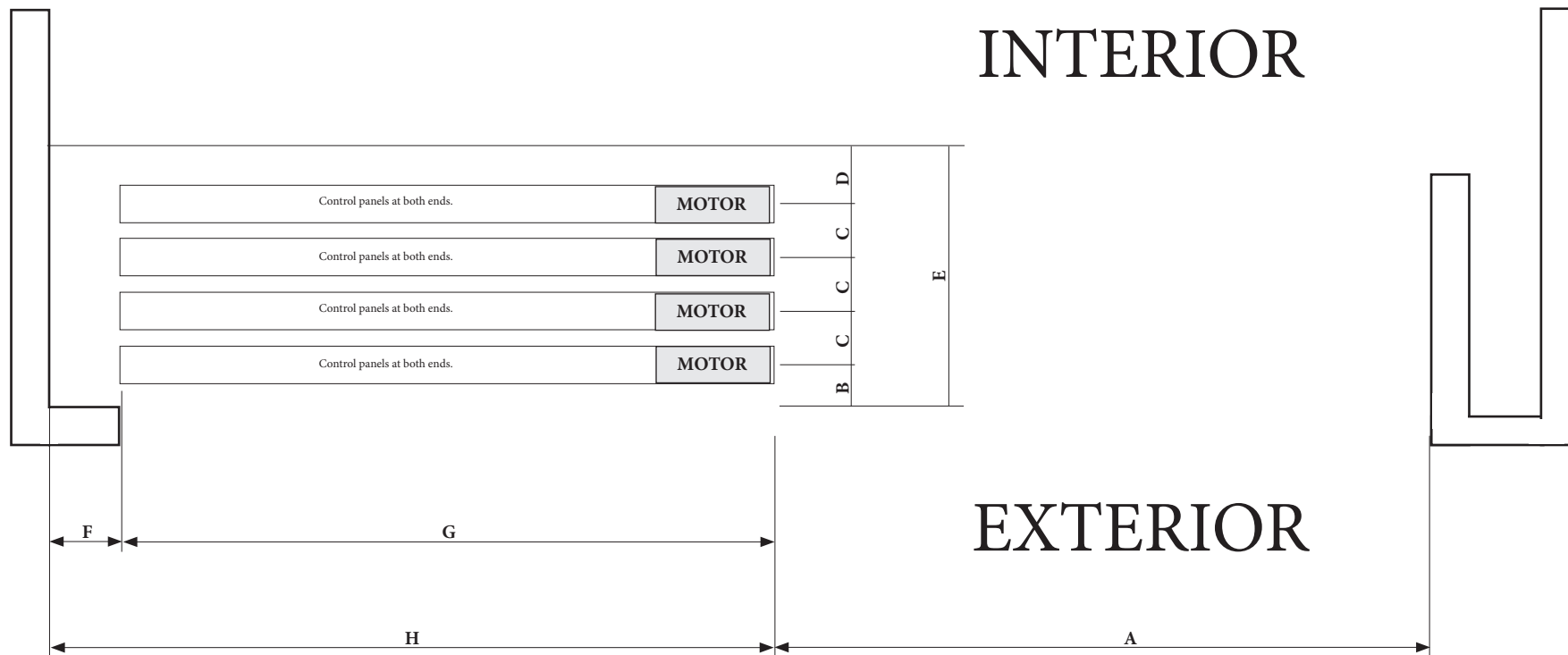


HORIZONTAL ROLLING DOOR DRAWING



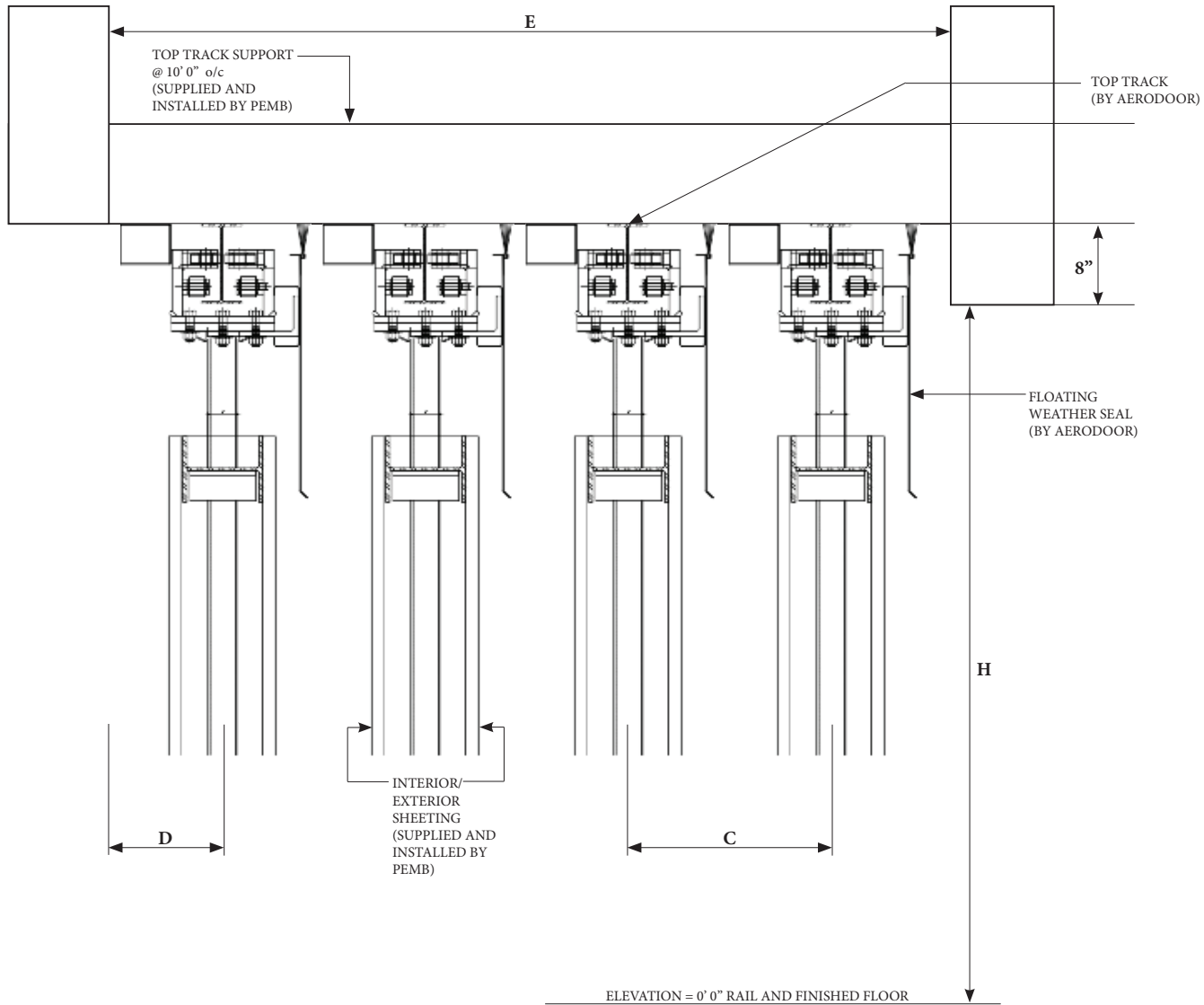
| | |
|----------|---|
| A | CLEAR OPENING WIDTH (refer to AeroDoor quote) |
| B | 10.5 inches |
| C | 15.5 inches |
| D | 9 inches |
| E | 66 inches |
| F | 18 inches |
| G | (A) ÷ Number of door leaves |
| H | CLEAR OPENING HEIGHT (refer to AeroDoor quote) |

THESE DIMENSIONS ARE PRELIMINARY AND NOT FOR CONSTRUCTION OR ERECTION PURPOSES. DIMENSIONS ACCOUNT FOR A 1.5" EXTERIOR PROFILE THICKNESS.
LEARN MORE AT WWW.AERO-DOOR.COM/ARCHITECTS

| | | |
|--|-------------------------------|--------------------------|
| OPEN DOOR LAYOUT - PLAN VIEW | | |
| 4 LEAF. INDEPENDENT CONFIGURATION. | | |
| <small>THESE DRAWINGS ARE PRELIMINARY AND NOT FOR CONSTRUCTION OR ERECTION PURPOSES.</small> | | |
|  | WWW.AERO-DOOR.COM | |
| | TOLL FREE 866.226.3667 | |
| <small>PAGE 1 OF 3</small> | <small>ISSUE DATE:</small> | <small>DRAWN BY:</small> |

INTERIOR

EXTERIOR



**TOP GUIDE RAIL - SECTION VIEW
4 LEAF HORIZONTAL ROLLING DOOR**

THESE DRAWINGS ARE PRELIMINARY AND NOT FOR CONSTRUCTION OR ERECTION PURPOSES.



WWW.AERO-DOOR.COM
TOLL FREE 866.226.3667

PAGE 2 OF 3

ISSUE DATE:

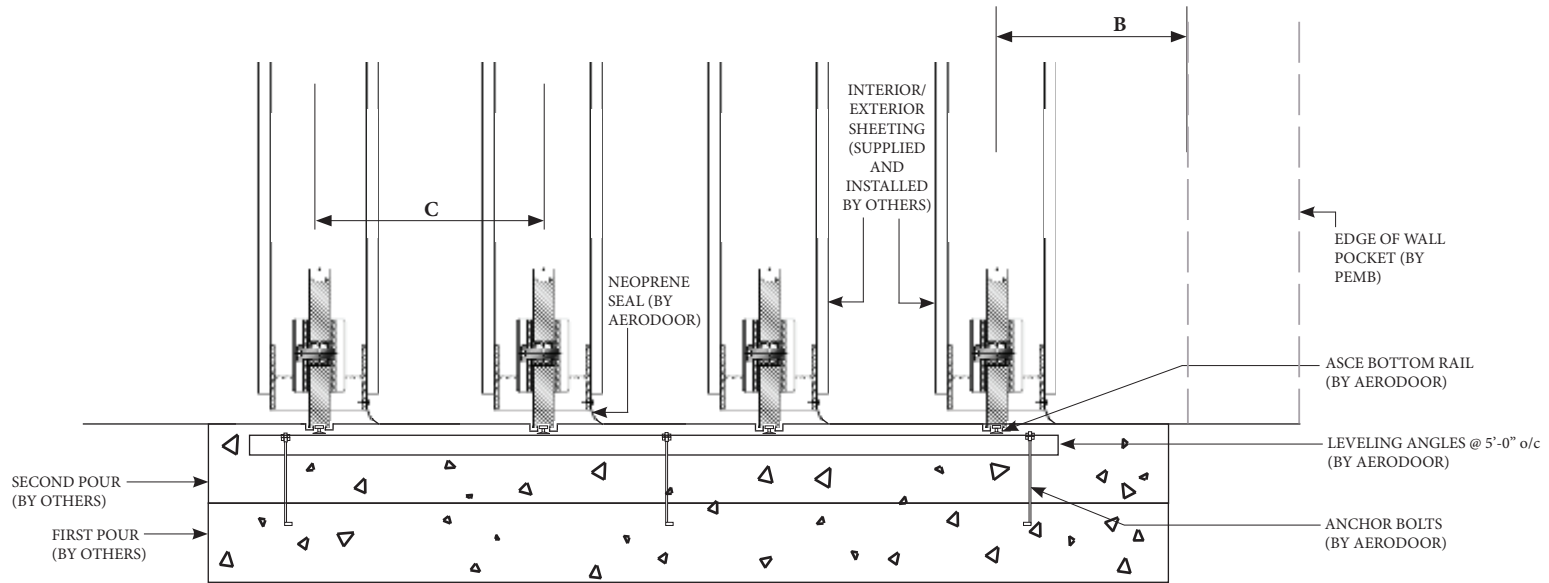
DRAWN BY:



VISIT WWW.AERO-DOOR.COM/ARCHITECTS FOR SO MUCH MORE ON INTEGRATING A HORIZONTAL ROLLING DOOR INTO YOUR NEXT PROJECT.

SPECIFICATIONS · ANIMATIONS · KEY FACTORS · PHOTOS

INTERIOR



EXTERIOR

BOTTOM RAIL - SECTION VIEW 4 LEAF HORIZONTAL ROLLING DOOR

THESE DRAWINGS ARE PRELIMINARY AND NOT FOR CONSTRUCTION OR ERECTION PURPOSES.



WWW.AERO-DOOR.COM
TOLL FREE 866.226.3667

PAGE 3 OF 3

ISSUE DATE:

DRAWN BY:



VISIT WWW.AERO-DOOR.COM/ARCHITECTS FOR SO MUCH MORE ON INTEGRATING A HORIZONTAL ROLLING DOOR INTO YOUR NEXT PROJECT.

SPECIFICATIONS · ANIMATIONS · KEY FACTORS · PHOTOS