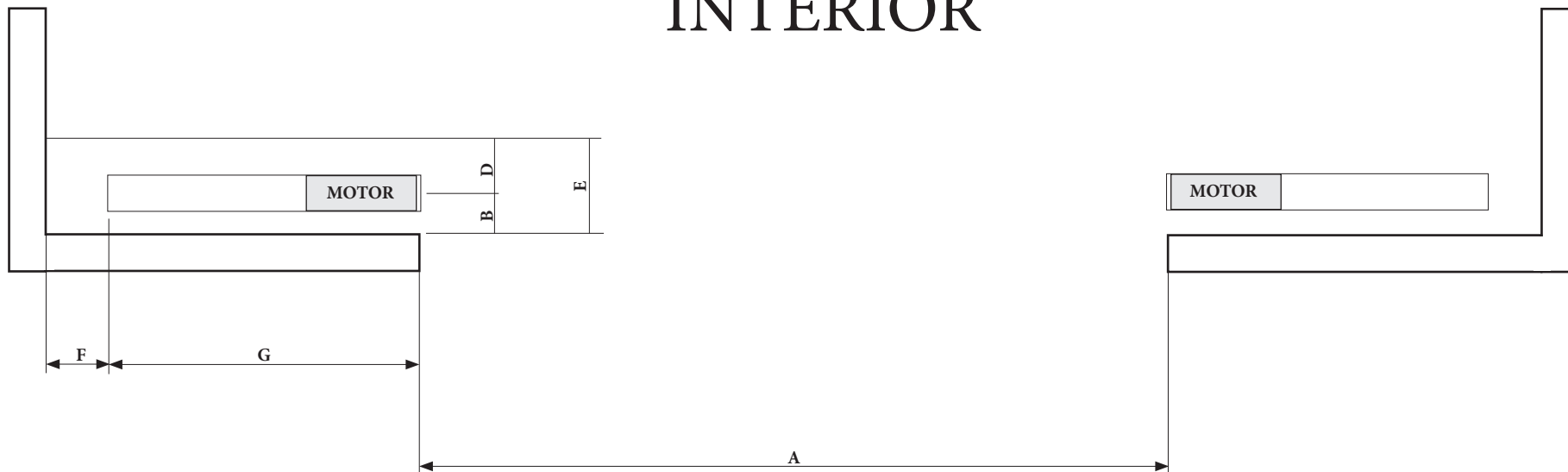


HORIZONTAL ROLLING DOOR DRAWING

INTERIOR

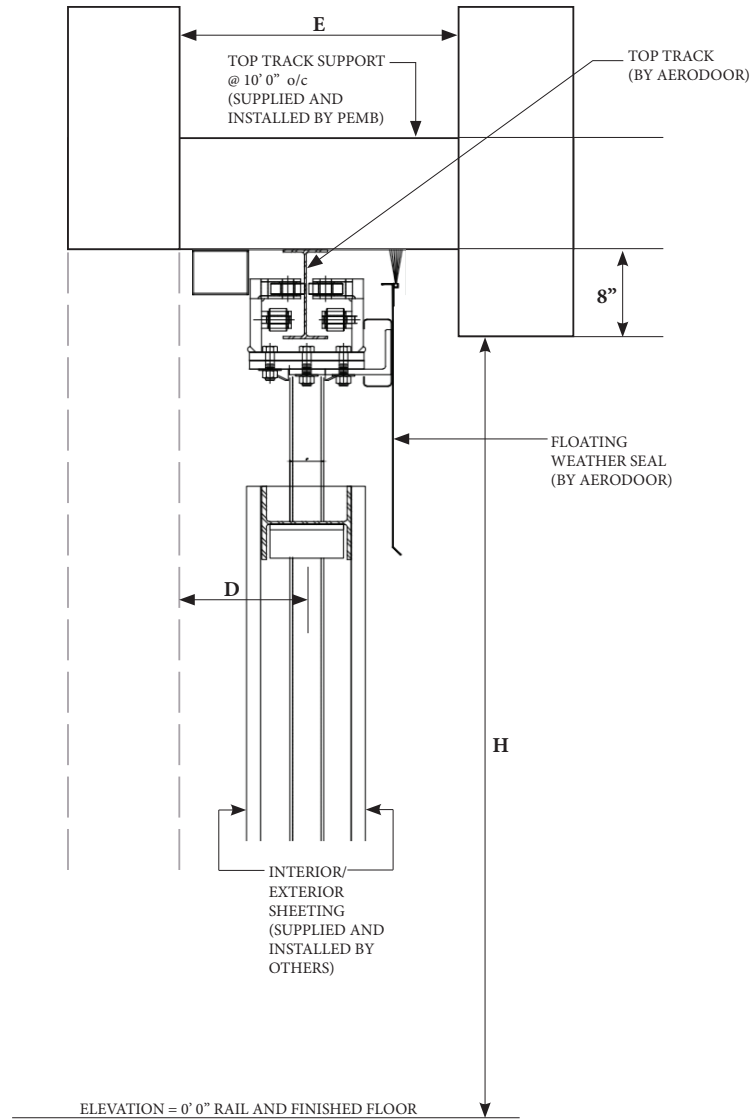


A	CLEAR OPENING WIDTH (refer to AeroDoor quote)
B	10.5 inches
C	-NO DIMENSION NEEDED FOR THIS DOOR -
D	9 inches
E	19.5 inches
F	18 inches
G	(A) ÷ Number of door leaves
H	CLEAR OPENING HEIGHT (refer to AeroDoor quote)

THESE DIMENSIONS ARE PRELIMINARY AND NOT FOR CONSTRUCTION OR ERECTION PURPOSES.
 DIMENSIONS ACCOUNT FOR A 1.5" EXTERIOR PROFILE THICKNESS.
 LEARN MORE AT WWW.AERO-DOOR.COM/ARCHITECTS

OPEN DOOR LAYOUT - PLAN VIEW 2 LEAF, BI PARTING CONFIGURATION.		
THESE DRAWINGS ARE PRELIMINARY AND NOT FOR CONSTRUCTION OR ERECTION PURPOSES.		
	WWW.AERO-DOOR.COM TOLL FREE 866.226.3667	
PAGE 1 OF 3	ISSUE DATE:	DRAWN BY:

INTERIOR



EXTERIOR

**TOP GUIDE RAIL - SECTION VIEW
2 LEAF HORIZONTAL ROLLING DOOR**

THESE DRAWINGS ARE PRELIMINARY AND NOT FOR CONSTRUCTION OR ERECTION PURPOSES.



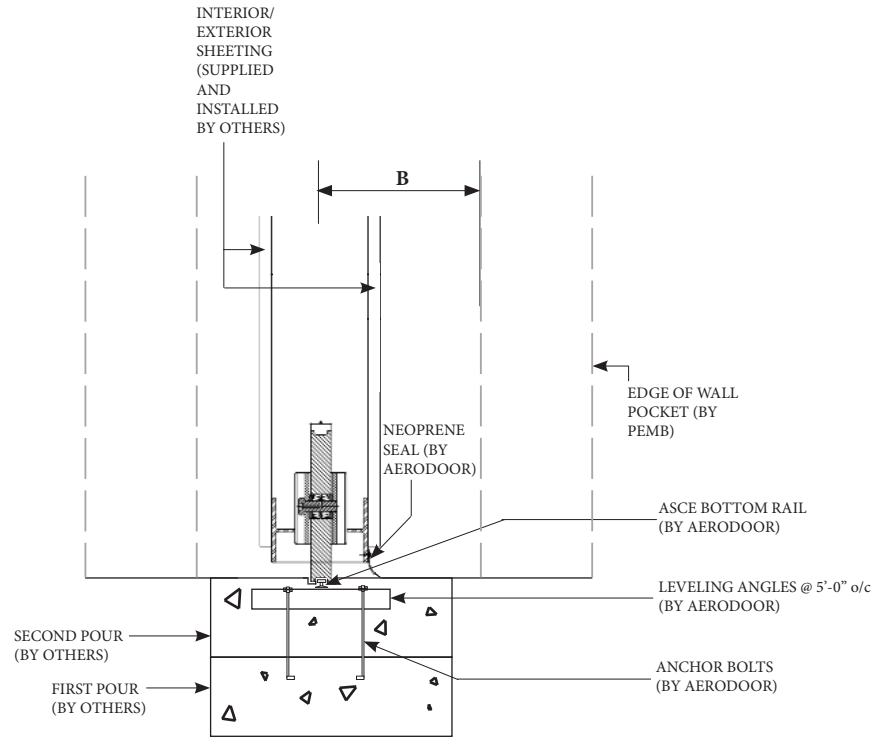
WWW.AERO-DOOR.COM
TOLL FREE 866.226.3667

PAGE 2 OF 3

ISSUE DATE:

DRAWN BY:

INTERIOR



EXTERIOR

BOTTOM RAIL - SECTION VIEW 2 LEAF HORIZONTAL ROLLING DOOR

THESE DRAWINGS ARE PRELIMINARY AND NOT FOR CONSTRUCTION OR ERECTION PURPOSES.



WWW.AERO-DOOR.COM

TOLL FREE 866.226.3667

PAGE 3 OF 3

ISSUE DATE:

DRAWN BY: